



Industrial Vacuum Furnace Thermocouples - Type 40 & 41



**Ceramic insulated thermocouple sensors
with integral Spectite® vacuum seal.**

**For high temperature service up to 1600°C
in vacuum applications.**

**Wide range of designs and sizes to suit all
styles of vacuum furnace.**

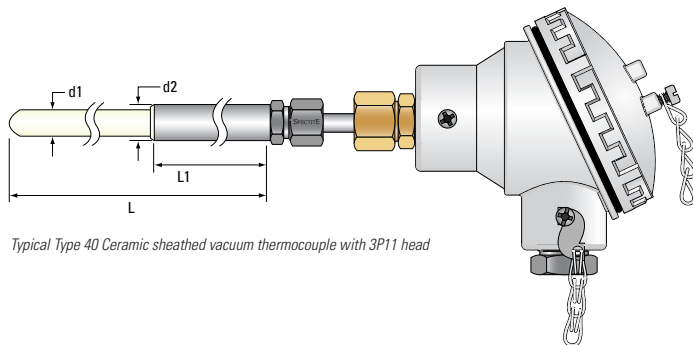
Type 40 & 41 Industrial Vacuum Furnace Thermocouples

Ceramic Sheathed Vacuum Thermocouples

Type 40/41 assemblies incorporate an integral Spectrite® seal and are ideal for vacuum furnace applications. The Spectrite® vacuum seal is rated to 5×10^{-6} torr with low leak rates (better than or equal to 1×10^{-6} scc/sec. under 1 Atm @ 20°C). These sensors can be supplied to all recognised standards and tolerances when combined with our UKAS calibration services (see section 7). They are available as simplex or duplex and a wide range of support tube fittings for attachment into the process is available.

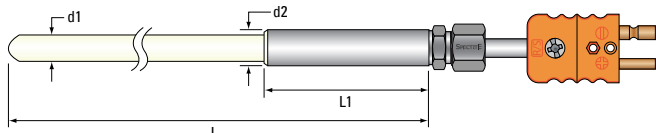
- Vacuum seal rated 5×10^{-6} torr
- Low leak rates
- Integral Spectrite® seal on internal wires maintains vacuum even if sheath is damaged
- Wide operating temperature range up to 1600°C
- Wide range of attachments for process installation
- Simplex and Duplex versions available
- UKAS and In-House calibration options available to all major international and industry specific standards
- Flexible tagging options available for clear traceability
- Support tubes as standard are made from 316 Stainless Steel

Type 40 - Ceramic Sheathed Vacuum Furnace Thermocouple with Insulated Junction



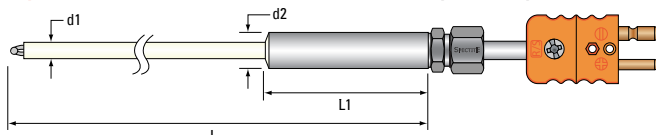
Typical Type 40 Ceramic sheathed vacuum thermocouple with 3P11 head

Type 40 - Ceramic Sheathed Vacuum Furnace Thermocouple with Insulated Junction



Typical Type 40 Ceramic sheathed vacuum thermocouple with standard plug

Type 41 - Ceramic Sheathed Vacuum Furnace Thermocouple with Exposed Junction



Typical Type 41 Exposed junction ceramic sheathed vacuum thermocouple with standard plug

SECTION 1	Thermocouple Type	Temperature Range	
		(continuous)	(short term)
K	Nickel Chromium vs Nickel Aluminium	0°C to +1100°C	-180 to +1350°C
N	Nicrosil vs Nisil	0°C to +1200°C	-270 to +1300°C
R	Platinum - 13% Rhodium vs Platinum	0 to +1600°C	-50 to +1750°C
S	Platinum - 10% Rhodium vs Platinum	0 to +1550°C	-50 to +1700°C
B	Platinum - 30% Rhodium vs Platinum - 6% Rhodium	+100 to +1600°C	+100 to +1820°C

SECTION 2	Sheath Material	Operational Properties	Maximum Temperature
IRA	Impervious Recrystallised Alumina	Ideally suited for use with precious metal thermocouples at high temperatures. Provides a fair resistance to thermal shock. High degree of inertness to chemicals. Ideal for reducing carbonaceous atmospheres and offers a high resistance to alkaline and other fluxes.	1600°C

SECTION 3	Ceramic Sheath Diameter 'd1'	Support Tube Diameter 'd2'	Type No.
	3.5mm	6.0mm	41 (duplex only)
	4.0mm	6.0mm	40 or 41
	6.0mm	10.0mm	40 or 41
	8.0mm	12.0mm	40
	10.0mm	15.9mm	40
	12.0mm	15.9mm	40

SECTION 5	Description	Material	Thread	Sketch
WBPSA	Welded Fixed Position Screwed Bushes	Stainless Steel	3/4" BSPP	
WB TSA			3/4" BSPT	
WBPSB			1" BSPP	
WB TSB			1" BSPT	
KFW	KFW - Welded KF vacuum flange	Stainless Steel	N/A	
CFW	CFW - Welded CF (ConFlat) vacuum flange	Stainless Steel	N/A	

SECTION 4	Types of Sensing Junction	
2I		Insulated (Type 40) Hot junction insulated from sheath (or 2ID if Duplex element is required).
2X		Exposed (Type 41) Fastest response, mainly for the measurement of air temperature in ducts (or 2XD if Duplex element is required).

Industrial Vacuum Furnace Thermocouples **Type 40 & 41**

SECTION 6		Types of End Seal Configuration					
Diagram		Specification		Diagram		Specification	
3P6		Standard 2-pin (round) Plug 3P6 Plug rated to 220°C 3P6H Plug rated to 300°C 3P6UH Plug rated to 425°C 3P6C Plug rated to 600°C		3P11		Standard Die Cast Alloy Head Weatherproof die cast alloy, epoxy coated, screw top terminal head with the tube entry and cable entry at a right angle to each other, with a ceramic terminal block. Suitable for simplex, duplex and triplex assemblies. Supplied with a 20mm x 1.5mm ISO metal pinch gland on cable entry for cables from 6mm to 14mm diameter.	
	3P6M		Miniature 2-pin (flat) Plug 3P6M Plug rated to 220°C 3P6MH Plug rated to 300°C 3P6MUH Plug rated to 425°C 3P6MC Plug rated to 600°C		3P10		Miniature Die Cast Alloy Head Weatherproof die cast alloy, epoxy coated, screw top terminal head with the tube entry and cable entry at a right angle to each other. Supplied with a ceramic terminal block. Suitable for simplex and duplex assemblies. Supplied with a 16mm x 1.5mm ISO metal pinch gland on the cable entry for cables from 3mm to 8mm diameter.
3P7		Standard 2-pin (round) Socket 3P7 Socket rated to 220°C 3P7H Socket rated to 300°C 3P7UH Socket rated to 425°C 3P7C Socket rated to 600°C		3P7M			Miniature 2-pin (flat) Socket 3P7M Socket rated to 220°C 3P7MH Socket rated to 300°C 3P7MUH Socket rated to 425°C 3P7MC Socket rated to 600°C

Other terminations are available, please contact us for details.

SECTION 7		Calibration Accuracies		
Standard	Accuracy Supplied	Certification		
IEC1	IEC 60584.1 Class 1	TC Ltd offer both UKAS and In-House (traceable to national standards) calibrations to all major international standards up to 1590°C. Our laboratory is fully accredited to ISO17025 and our reports are designed with the requested standard in mind. Our sales engineers are on hand to discuss any requirements so please do not hesitate to contact us for more details.		
AMS1	AMS2750			
BAC2	BAC5621			
	Types K/N: $\pm 1.5^\circ\text{C}$ (-40 to $+375^\circ\text{C}$) or 0.4% (375 to 1000°C) Types R/S: $\pm 1.0^\circ\text{C}$ (0 to 1100°C) or $1^\circ\text{C} + 0.3\%$ of temperature above 1100°C (1100 to 1600°C)			
	Types K/N: $\pm 1.1^\circ\text{C}$ or 0.4% Type R/S: $\pm 1.0^\circ\text{C}$ or 0.25% Type B: $\pm 1.0^\circ\text{C}$ or 0.50% (whichever is greater)			
	$\pm 1.1^\circ\text{C}$ < 538°C or 0.4% of reading > 538°C			

SECTION 8		Optional Tagging
PL		Plastic ID Label Rated 70°C. Suitable for all end seals.
		Laser Etched Metal Tag Rated 250°C. Suitable for all end seals.
EL		Laser Etching on Sensor Laser etch of serial number. This can be instead of or in addition to either of the options above and positioned on the support tube, vacuum fitting or connector as required.

Order Code - Example									
Style No.	Thermocouple Type (see section 1)	No. of Elements (see section 4)	Sheath Diameter (d1) (see section 3)	Sheath Material (see section 2)	Sensor Length (L) (in mm)	Support Tube Length (L1) (in mm, if required)	End Seal Termination (see section 6)	Sheath Fitting* (if required, see section 5)	Calibration Accuracy (see section 7)
40	- K	- 2I	- 6.0	- IAP	- 400	- 100	- 3P11	- WBPSA	- AMS1

* If fixed, specify sheath length under hex (parallel thread) or under thread start (tapered thread) or under flange (welded flange).

Calibration Details (Optional)		
UKAS (U) / In House (I)	Calibration Range (see section 1)	Interval / Custom Temperatures (in °C)
U	- 500/1300	- 100

Tagging Options		
Plastic ID Label (see section 8)	or Metal Tag Label (see section 8)	Etched on Sensor (see section 8)
PL	or ML	- EL

Type 40S Industrial SAT Vacuum Furnace Thermocouples

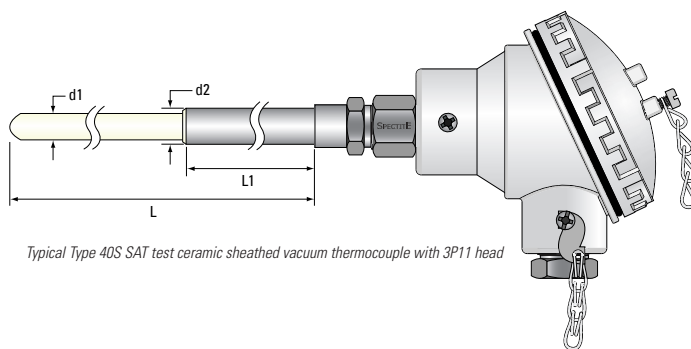
SAT Ceramic Sheathed Vacuum Thermocouples

Type 40S assemblies incorporate an integral Spectrite® seal and are ideal for vacuum furnace applications. The Spectrite® vacuum seal is rated to 5×10^{-6} torr with low leak rates (better than or equal to 1×10^{-6} scc/sec. under 1 Atm @ 20°C). These sensors can be supplied to all recognised standards and tolerances when combined with our UKAS calibration services (see section 8). They are available as simplex or duplex and include a test sensor hole for calibration / survey work. A wide range of support tube fittings for attachment into the process is available.

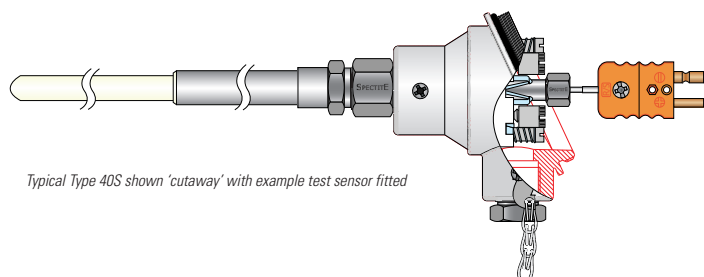
- Vacuum seal rated 5×10^{-6} torr
- Low leak rates
- Integral Spectrite® seal on internal wires maintains vacuum even if sheath is damaged
- Wide operating temperature range up to 1600°C
- Wide range of attachments for process installation
- Test sensor hole for calibration or system accuracy tests (SAT) without removal from process*
- Simplex and Duplex versions available
- UKAS and In-House calibration options available to all major international and industry specific standards
- Flexible tagging options available for clear traceability
- Support tubes as standard are made from 316 Stainless Steel

* Available with terminal head end seals only, see section 7 for details

Type 40S - SAT Test Ceramic Sheathed Vacuum Furnace Thermocouple with Insulated Junction



Typical Type 40S SAT test ceramic sheathed vacuum thermocouple with 3P11 head




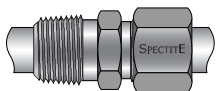
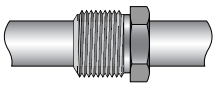
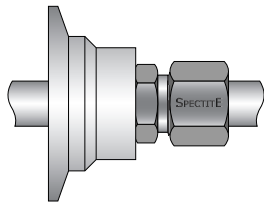
Typical Type 40S shown 'cutaway' with example test sensor fitted

SECTION 1	Thermocouple Type	Temperature Range	
		(continuous)	(short term)
K	Nickel Chromium vs Nickel Aluminium	0°C to +1100°C	-180 to +1350°C
N	Nicrosil vs Nisil	0°C to +1200°C	-270 to +1300°C
R	Platinum - 13% Rhodium vs Platinum	0 to +1600°C	-50 to +1750°C
S	Platinum - 10% Rhodium vs Platinum	0 to +1550°C	-50 to +1700°C
B	Platinum - 30% Rhodium vs Platinum - 6% Rhodium	+100 to +1600°C	+100 to +1820°C

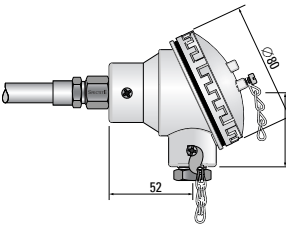
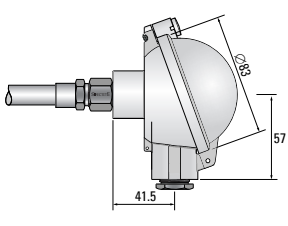
SECTION 2	Sheath Material	Operational Properties	Maximum Temperature
IRA	Impervious Recrystallised Alumina	Ideally suited for use with precious metal thermocouples at high temperatures. Provides a fair resistance to thermal shock. High degree of inertness to chemicals. Ideal for reducing carbonaceous atmospheres and offers a high resistance to alkaline and other fluxes.	1600°C

SECTION 3	Ceramic Sheath Diameter 'd1'	Support Tube Diameter 'd2'	Type No.				
				Standard Sizes	12.0mm	15.9mm	40S
					17.0mm	26.7mm	40S
					20.0mm	26.7mm	40S

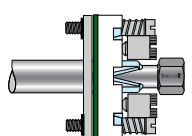
SECTION 4	Types of Sensing Junction	
	2I	

SECTION 5	Support Tube Mounting Fittings			
	Description	Material	Thread	Sketch
PF	Vacuum Feedthrough with Viton sealant as standard	Stainless Steel	1/4" BSPT 1/2" BSPT or 3/4" BSPT	
WBPSA	Welded Fixed Position Screwed Bushes	Stainless Steel	3/4" BSPP	
WB TSA			3/4" BSPT	
WBPSB			1" BSPP	
WB TSB			1" BSPT	
KFW	KFW - Welded KF vacuum flange	Stainless Steel	N/A	
CFW	CFW - Welded CF (ConFlat) vacuum flange	Stainless Steel	N/A	

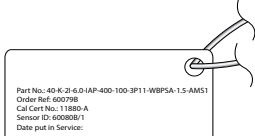
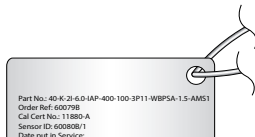
Industrial SAT Vacuum Furnace Thermocouples **Type 40S**

SECTION 6		Types of End Seal Configuration			
	Diagram	Specification		Diagram	Specification
3P11		Standard Die Cast Alloy Head Weatherproof die cast alloy, epoxy coated, screw top terminal head with the tube entry and cable entry at a right angle to each other, with a ceramic terminal block. Suitable for simplex and duplex assemblies. Supplied with a 20mm x 1.5mm ISO metal pinch gland on the cable entry for cables from 6mm to 14mm diameter.	3P13A		Die Cast Alloy Head with Flip Top Lid DIN Form A weatherproof die cast alloy, epoxy coated, flip top terminal head with the tube entry and cable entry at a right angle to each other, with a ceramic terminal block. Suitable for simplex, and duplex assemblies. Supplied with a PG16 metal pinch gland on the cable entry for cables from 6mm to 14mm diameter.

Other terminations are available, please contact us for details.

SECTION 7		Test Sensor Hole	
	Sketch	Description	
		Hole supplied for test sensors with a diameter of 1.5mm or 2.0mm. Other diameters are available on request, please contact us for more details.	

SECTION 8				Calibration Accuracies	
	Standard	Accuracy Supplied		Certification	
IEC1	IEC 60584.1 Class 1	Types K/N: +/-1.5°C (-40 to +375°C) or 0.4% (375 to 1000°C) Types R/S: +/-1.0°C (0 to 1100°C) or 1°C + 0.3% of temperature above 1100°C (1100 to 1600°C)		TC Ltd offer both UKAS and In-House (traceable to national standards) calibrations to all major international standards up to 1590°C. Our laboratory is fully accredited to ISO17025 and our reports are designed with the requested standard in mind. Our sales engineers are on hand to discuss any requirements so please do not hesitate to contact us for more details.	
AMS1	AMS2750	Types K/N: ±1.1°C or 0.4% Type R/S: +/-1.0°C or 0.25% Type B: +/-1.0°C or 0.50% (whichever is greater)			
BAC2	BAC5621	±1.1°C <538°C or 0.4% of reading >538°C			

SECTION 9		Optional Tagging	
PL		Plastic ID Label Rated 70°C. Suitable for all end seals.	
ML		Laser Etched Metal Tag Suitable for all end seals.	

Order Code - Example										
Style No.	Thermocouple Type (see section 1)	No. of Elements (see section 4)	Sheath Diameter (d1) (see section 3)	Sheath Material (see section 2)	Sensor Length (L) (in mm)	Support Tube Length (L1) (in mm, if required)	End Seal Termination (see section 6)	Sheath Fitting* (if required, see section 5)	Test Sensor Hole (see section 7, specify diameter of 1.5mm or 2mm)	Calibration Accuracy (see section 8)
40S	- K	- 2I	- 12.0	- IAP	- 400	- 100	- 3P11	- WBPSA	- 1.5	- AMS1

* If fixed, specify sheath length under hex (parallel thread) or under thread start (tapered thread) or under flange (welded flange)

Calibration Details (Optional)		
UKAS (U) / In House (I)	Calibration Range (see section 1)	Interval / Custom Temperatures (in °C)
U	- 500/1300	- 100

Tagging Options		
Plastic ID Label (see section 9) or Metal Tag Label (see section 9)	Etched on Sensor (see section 9)	
PL or ML	- EL	



PO Box 130
Uxbridge
UB8 2YS
United Kingdom
Tel: 01895 252222
International: +44 1895 252222
Email: info@tc.co.uk
Web: www.tc.co.uk

© 2019 TC Ltd.
Issue Number: 0920

TC Ltd for Temperature Sensing, Measurement and Control